

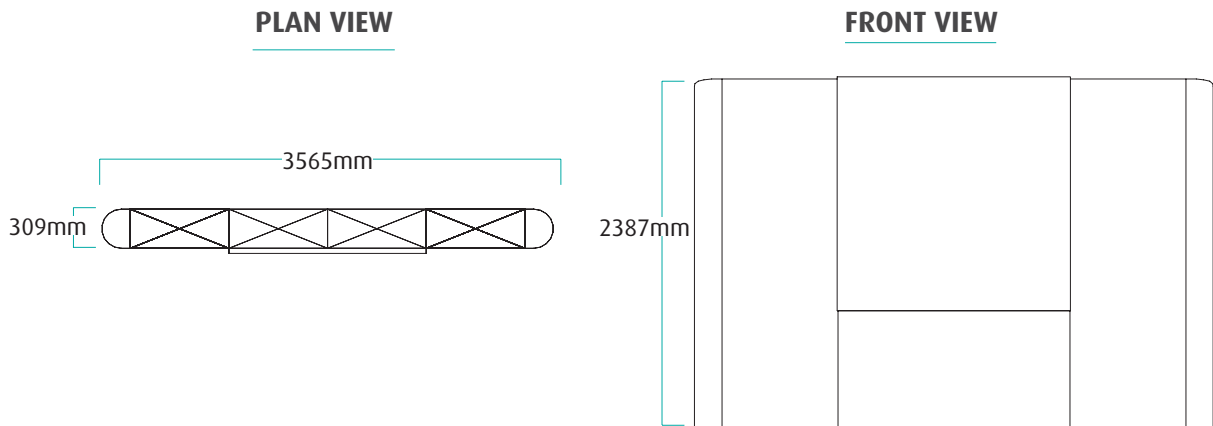
Conference Kit Manual

www.premier-framework.com T:+44 (0)20 8655 6100 F:+44 (0)20 8655 6101

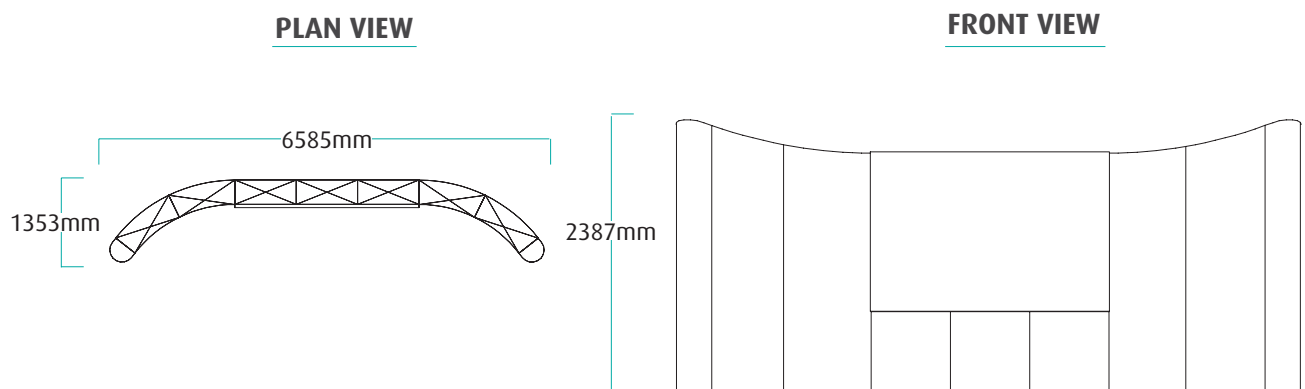
Premier Conference Kit Types:

Large & Small Screen

The Premier Conference Kit is available in two sizes, either a 2 X 2 screen kit (2 quads high, 2 quads wide) or a 2 X 3 screen kit (2 quads high, 3 quads wide).



The smaller sized CK is based on a 3 X 4 Premier P300 flat frame. This accommodates a 2 X 2 quad projection screen.

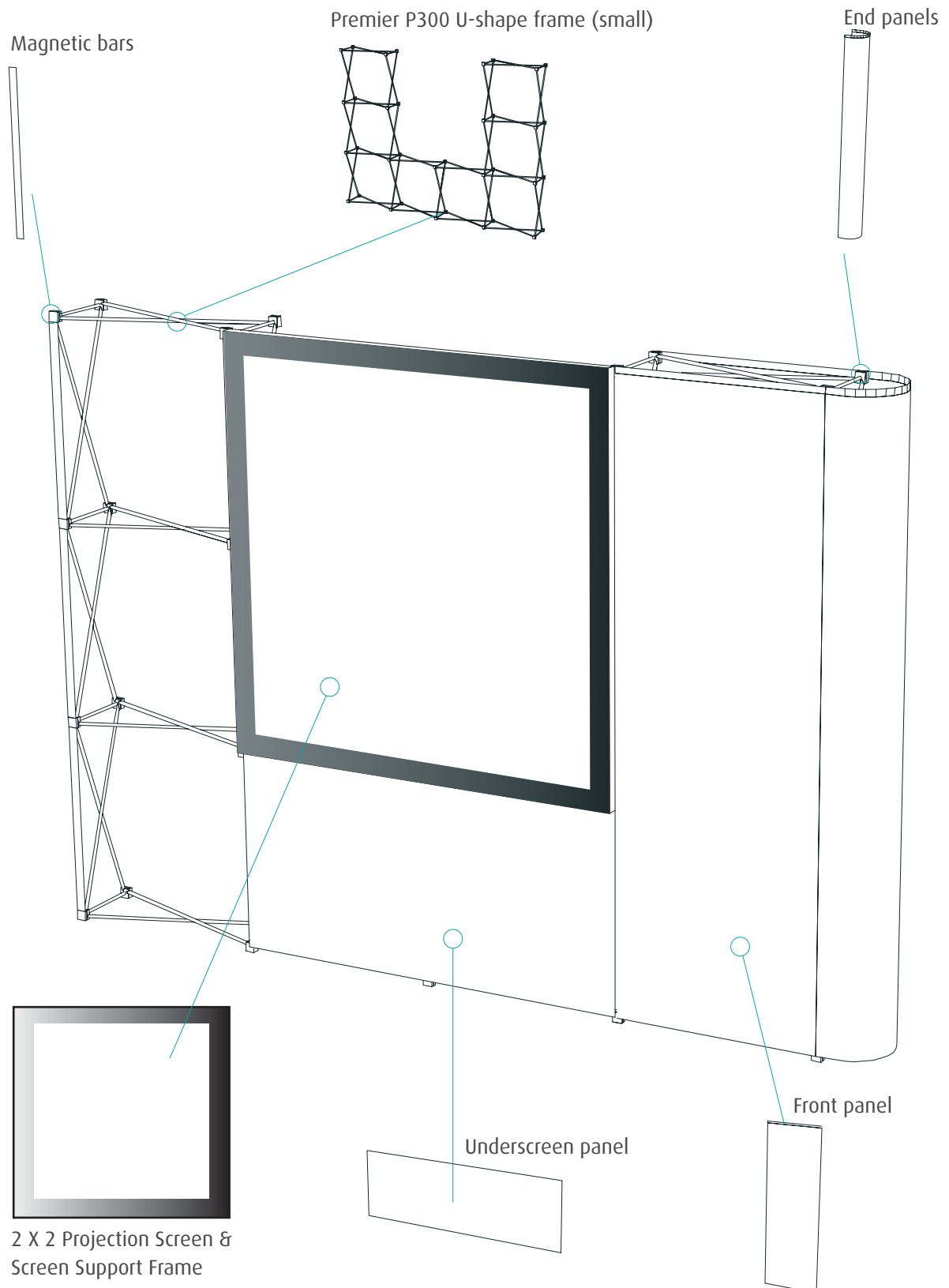


The larger CK is based on a 3 X 7 Premier P300 curved / flat frame. This accommodates a 2 X 3 quad projection screen. The projection screen is available for front or rear projection.

Premier Conference Kit components:

Small Screen

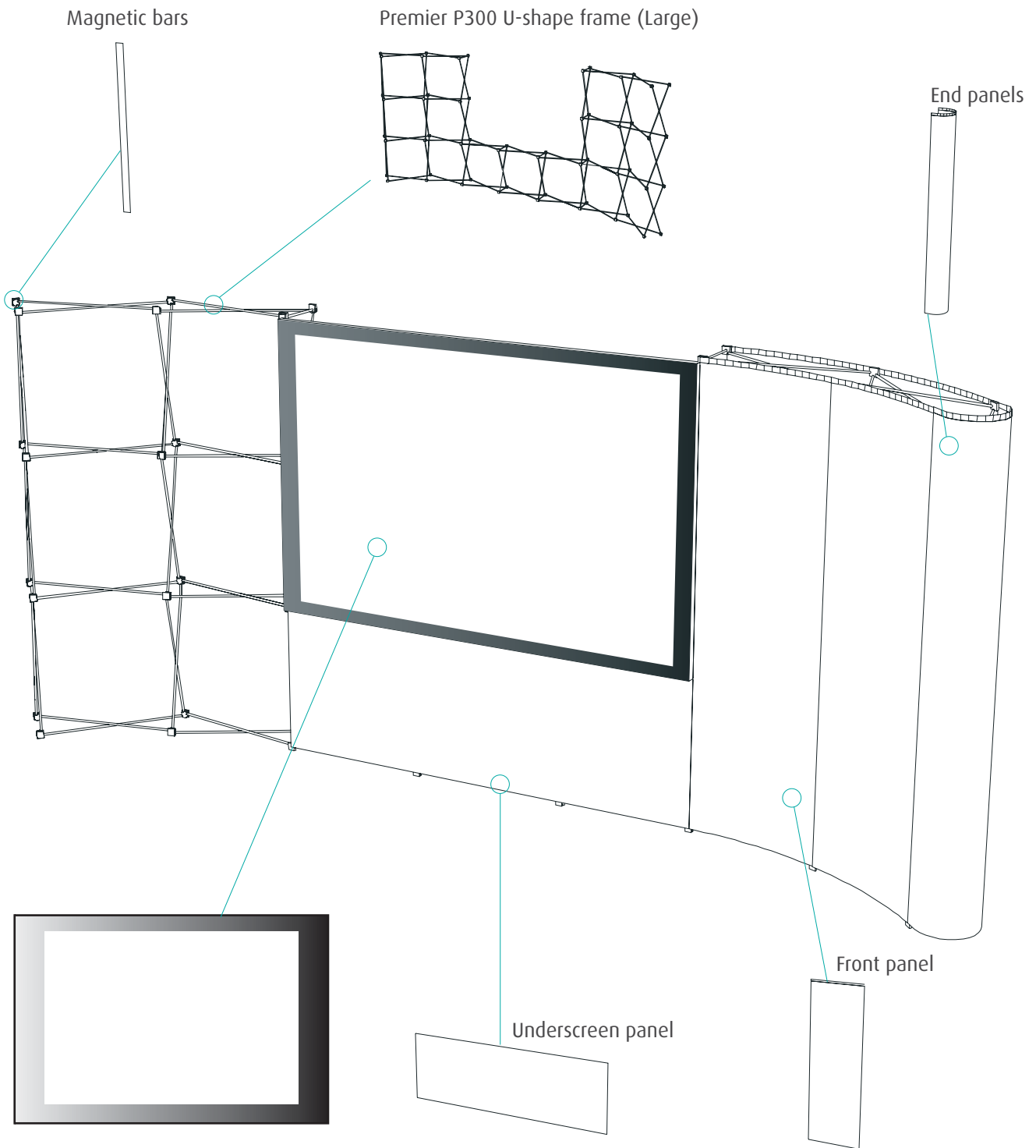
The Small (2 X 2) Screen Conference Kit is made up of the following components:



Premier Conference Kit components:

Large Screen

The Large (2 X 3) Screen Conference Kit is made up of the following components:



2 X 3 Projection Screen & Screen Support Frame

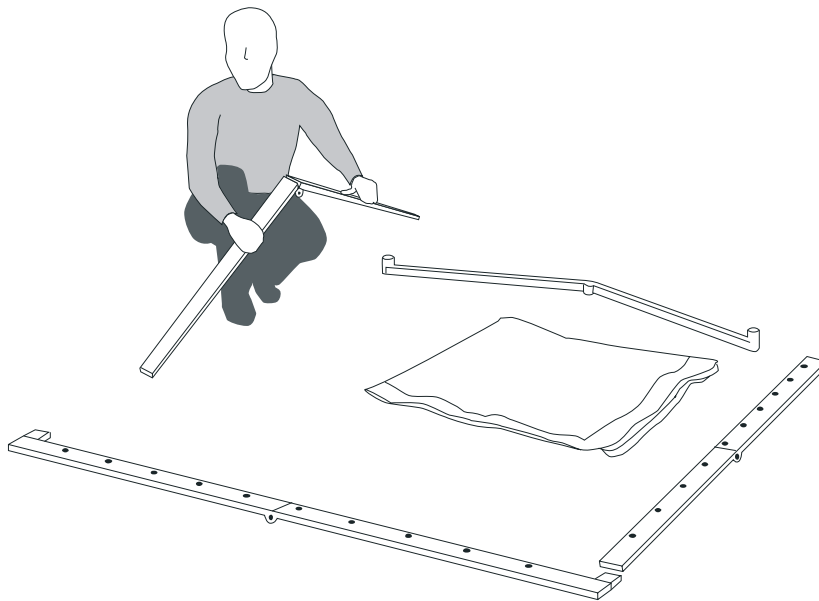
Premier Conference Kit Construction:

Large & Small Screen

Set up the Premier P300 U-shaped frame. (For instructions, please refer to the **'Frame - erection'** section in the set-up Instructions).

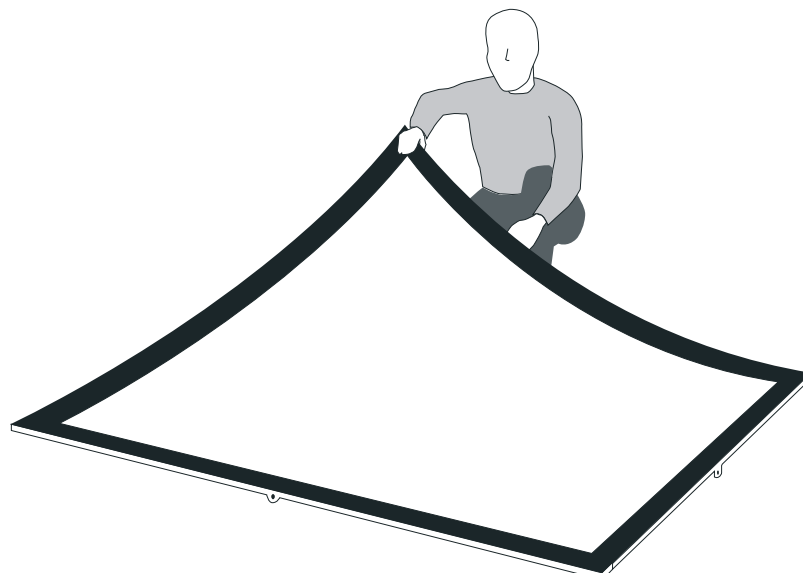
Stage 1 - Pop-up frame erection

The screen support frame itself comes in four sections. Unfold each section and straight out.



Stage 2 - Screen assembly

Attach all the side sections together securely to form a square frame. Lay the screen itself on top of the screen support frame and secure it to the frame using the press studs on the frame.

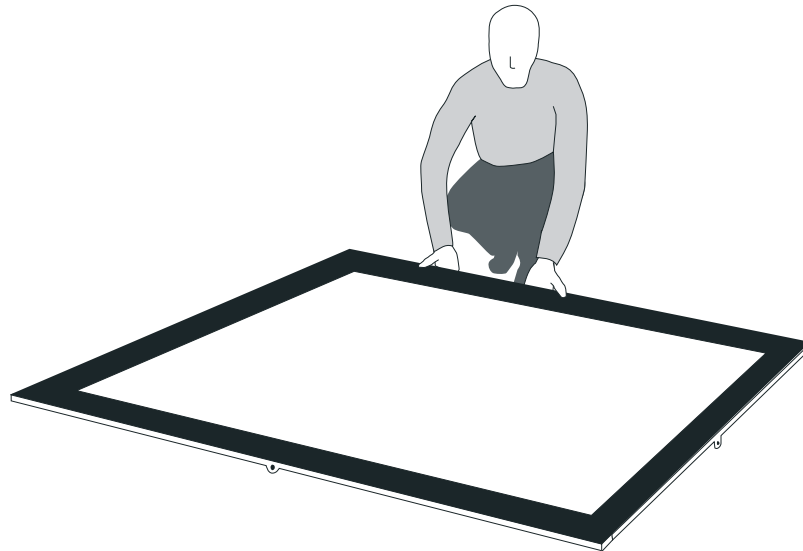


Premier Conference Kit Construction:

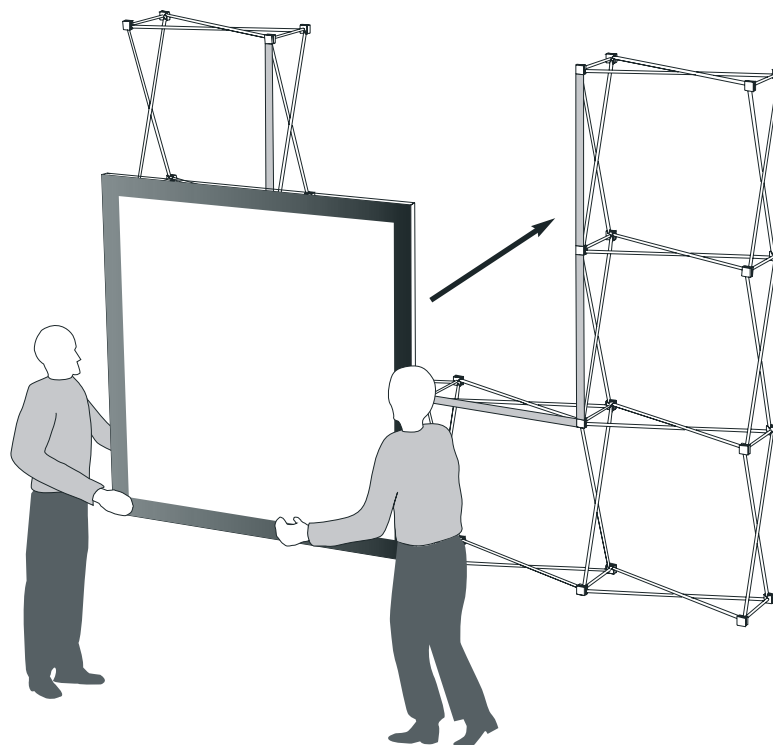
Large & Small Screen

Stage 3 - Attaching the screen to the Premier P300 U-shaped frame

The completed screen is now ready to attach to the Premier P300 U-shaped frame. (Please note that before attachment, make sure all supporting magnetic bars are in place to allow the screen to be attached to the frame).



The screen support frame is supplied with magnetic tape on the rear. The screen is applied up to the magnetic bars on the Premier P300 U-shaped frame.



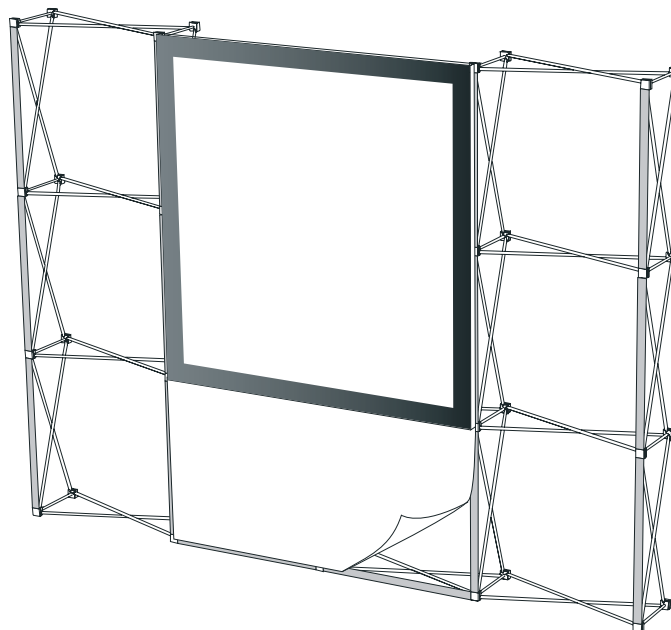
Premier Conference Kit Construction:

Large & Small Screen

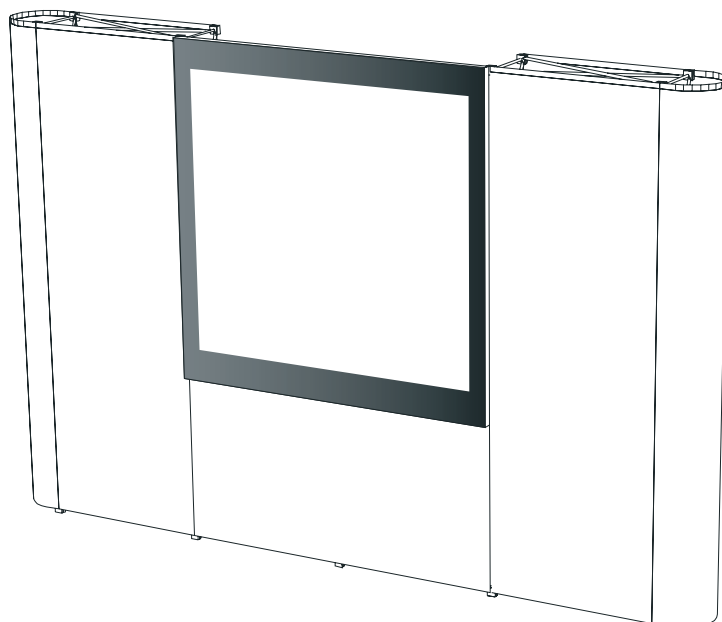
Stage 4 - Graphic panel attachment

Apply graphic panels to the Premier U-shaped frame. (For instructions refer to the '**applying graphic panels**' section of the Set-UP Instructions).

The underscreen panel is horizontal not vertical and therefore has magnetic tape on all four sides to the rear. This means there are no hangers, so the panel is located flush to the underside of the screen support frame.



The completed Conference Kit ready for use.

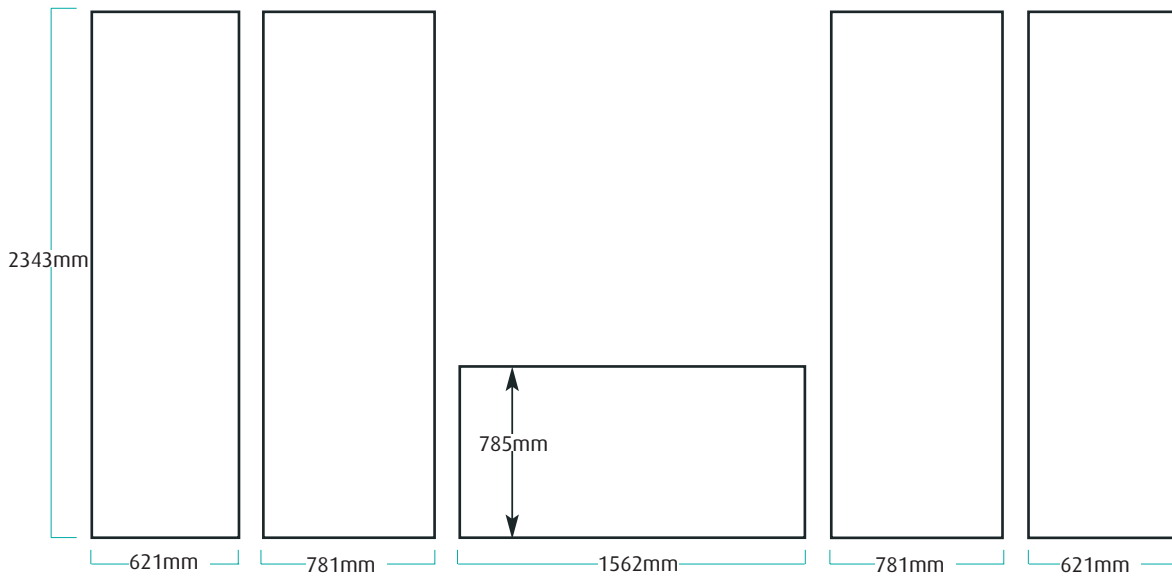


Premier Conf. Kit Panel Dimensions:

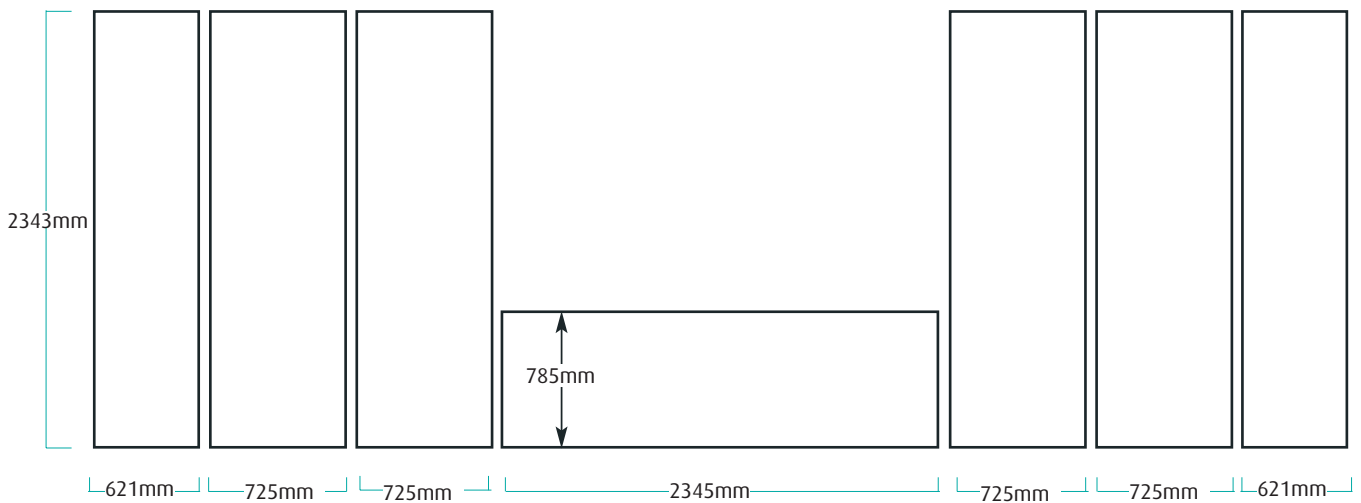
Large & Small Screen

The basic frames for the Conference Kits are based on a Premier P300 flat 3 X 4 and a Premier P300 flat / curved 3 X 7. These are meant as **'building blocks'** that can be added to. The panel sizes for these frames are shown below.

Small (2 X 2) Screen Conference Kit



Large (2 X 3) Screen Conference Kit



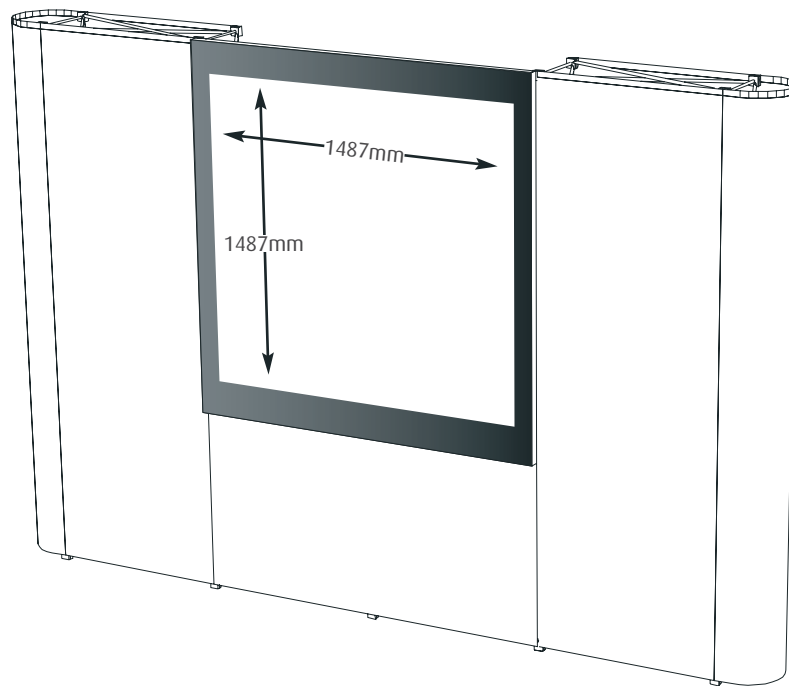
Premier Conf. Kit Panel Dimensions:

Large & Small Screen

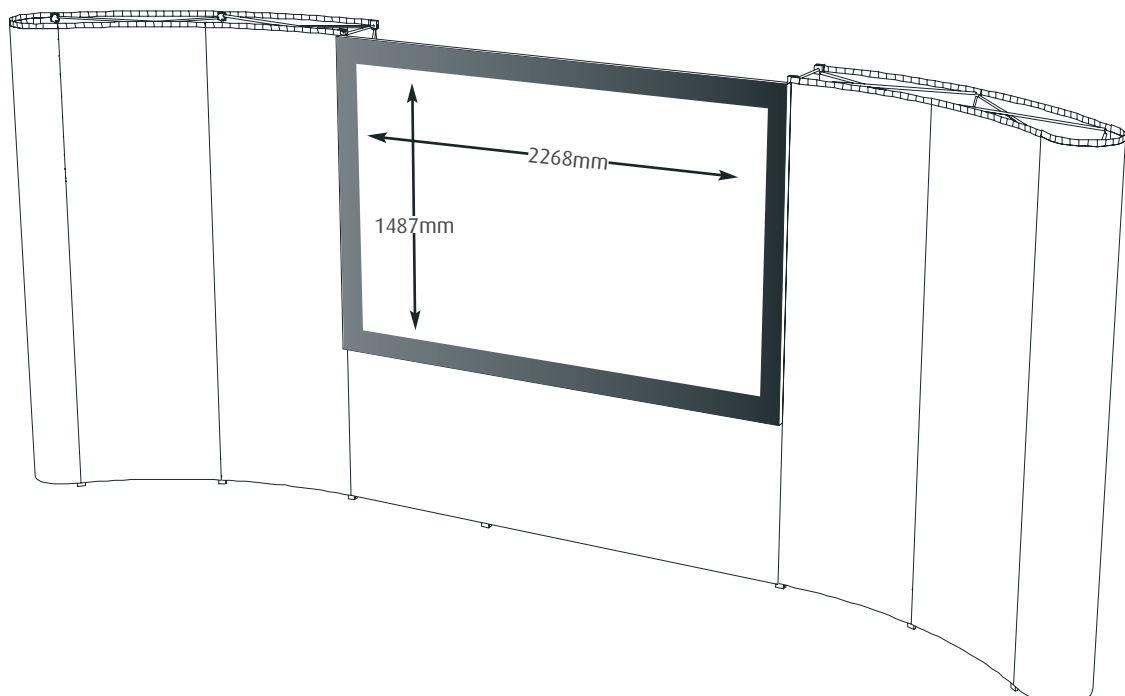
The screens for the Conference Kits come in two sizes based on the quad sizes of the Premier P300 flat system.

The dimensions for these screens are shown below.

Small (2 X 2) Screen Conference Kit



Large (2 X 3) Screen Conference Kit

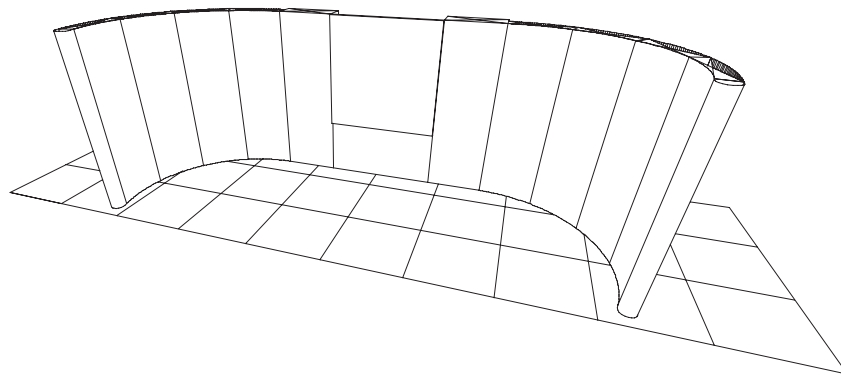


Premier Conference Kit Combinations:

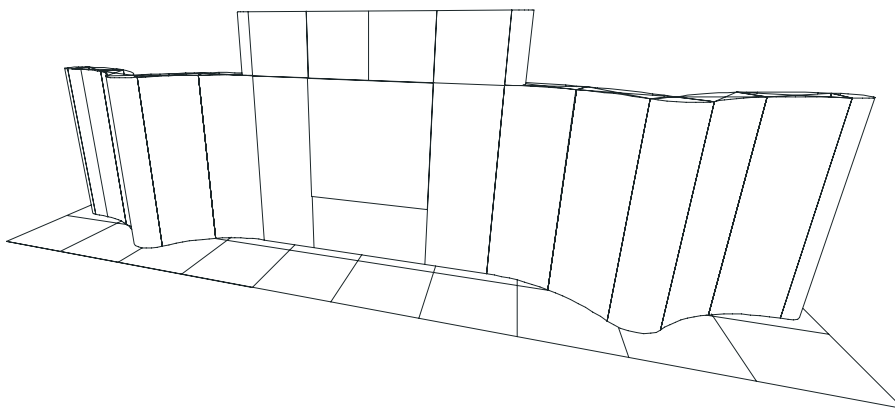
Small Screen

Below is a small selection of examples showing what kind of configurations can be achieved with the small Screen Conference Kit.

Small (2 X 2) Screen Conference Kit with 2 curved 3 X 4 Premier Classic frames hinged to each end.
Minimum floor space required: 10 X 3m

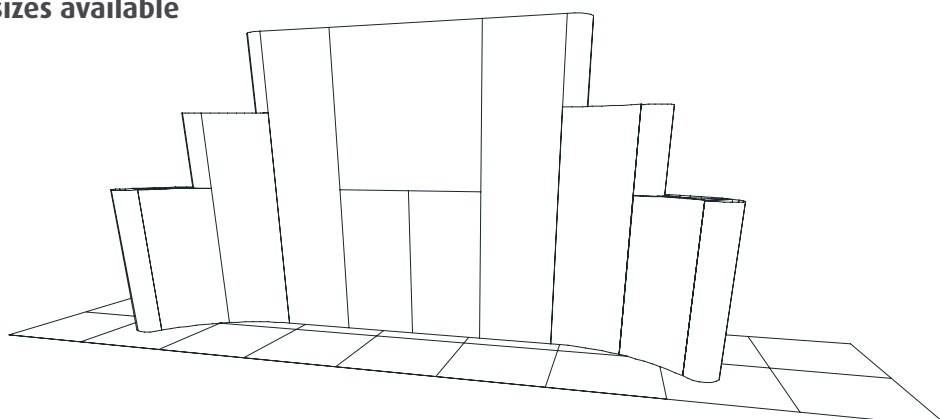


Small (2 X 2) Screen Conference Kit with 4 off 3 X 2 Curved P300 in a 'gullwing' shape on each end. There is also a straight 1 X 4 frame hinged over the screen.
Minimum floor space required: 10 X 2m



Small (2 X 2) Screen in a Premier P300 4 X 4 with a curved step 1 X 3 and 1 X 2 attached to each end.

Minimum floor space required: 9 X 2m
Special sizes available

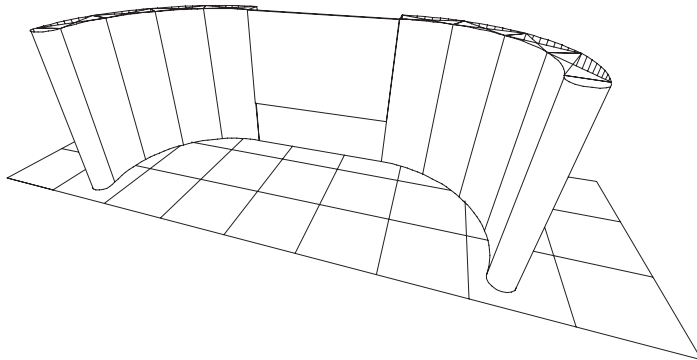


Premier Conference Kit Combinations:

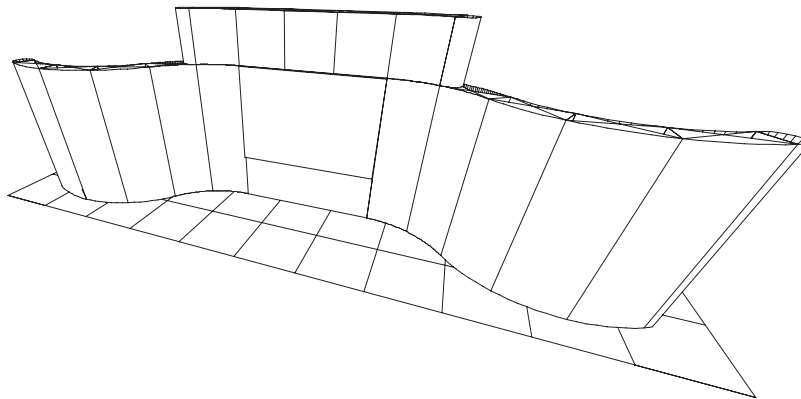
Large Screen

Below is a short selection of examples showing what kind of configurations can be achieved with the Large Screen Conference Kit.

Large (2 X 3) Screen Conference Kit with a 3 X 2 curved Premier P300 hinged onto each end.
Minimum floor space required: 9 X 3m



Large (2 X 3) Screen Conference Kit with a 3 X 3 Premier P300 on each end. There is also a curved/flat 1 X 5 frame hinged over the screen.
Minimum floor space required: 11 X 2m



Special large screen in a 5 X 8 Premier P300 frame with curved 3 X 4 Premier P300 frames on each end.

Minimum floor space required: 14 X 3m
Special sizes available

